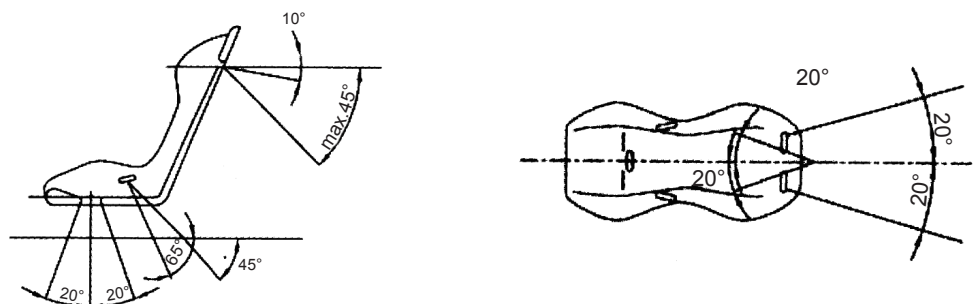


Safety harness 4 or 6 point acc. FIA homologation

Instructions for use, assembly and maintenance

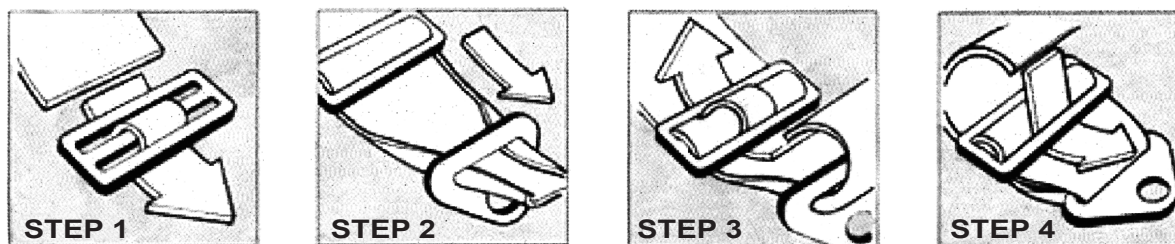
4 or 6 point safety harness, in 3 versions with different strap length. designed for car competition and complies with FIA specifications No. 8854/98 and 8853-2016.

These safety harnesses can only be used in combination with seats with belt holes or adequate passage possibilities.



"LOCKING" the 3-Bar Slide Adjuster shows in Steps 1 through 4 is VERY IMPORTANT

The 3-Bar Slide Adjuster must be located as close as possible to the snap end bracket or Roll Bar (in Warp Around design)



Important warning for installation

Please read carefully and follow the instructions for best performance of safety harnesses in case of accident or during competition.

- No modifications or repairs are allowed on the safety harness.
- Protect safety harness from grease, oil or any other substance to reduce the friction on the adjusters.
- Webbing strength can be negatively affected by solvents.
- For correct and ideal installation see the enclosed drawings acc. FIA rules J art. 253-42.
- The upper straps must be crossed behind the seat, acc. FIA rules.
- Avoid sharp edges and objects these can damage the webbing.
- The anchor points to the car body must be preferably carried out following the standard belt anchor points and/or other points acc. FIA rules J art. 253-43.
- Select carefully the mounting place for the anchor, don't damage break lines, cable ducts or other parts.
- FIA can change the rules at any time, see www.fia.com for the latest regulations.

Usage

Fixation of driver: the harness pin of each strap must be inserted in the central turn buckle. A positive locking "click" indicates correct fixing.

Release: By rotating clockwise or anticlockwise the lever of the turn buckle the pins of the straps are ejected simultaneously.

Adjusting

- Adjust the safety harness in such way that the turn buckle is in the centre of the driver's shoulders and abdomen.
- With a correct adjusted safety harness the driver cannot be move either backwards or forwards with fastened harness.
- Increasing shoulder length by pulling the shoulder adjuster upwards.
- Increasing lap length by pulling the lap adjuster outwards.
- Decreasing shoulder or lap length by pulling on the end of the shoulder or lap strap.

Before every race

Before every competition it is advisable to check the safety devices.

Check every single component of the safety harness and all anchor points, making sure that there are no cuts, oil or grease on the straps

Maintenance

After a serious accident it is necessary to replace the harness and inspect the anchor points on the vehicle. Carry the cleaning of the webbing out with warm soapy water. Don't clean the turn buckle! Don't use bleach, solvents, oil or any other aggressive or lubricating substance.

Warning

Motorsport / Car racing is extremely dangerous. The products we sell have no warranty or representations made with ability to protect against injury or death. The user assumes that risk. Most or all of the items are for off road use and are not approved or recommended for street use.